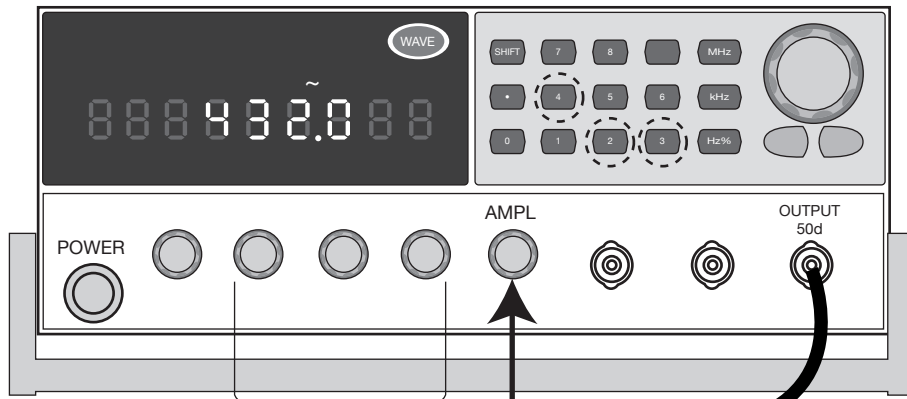


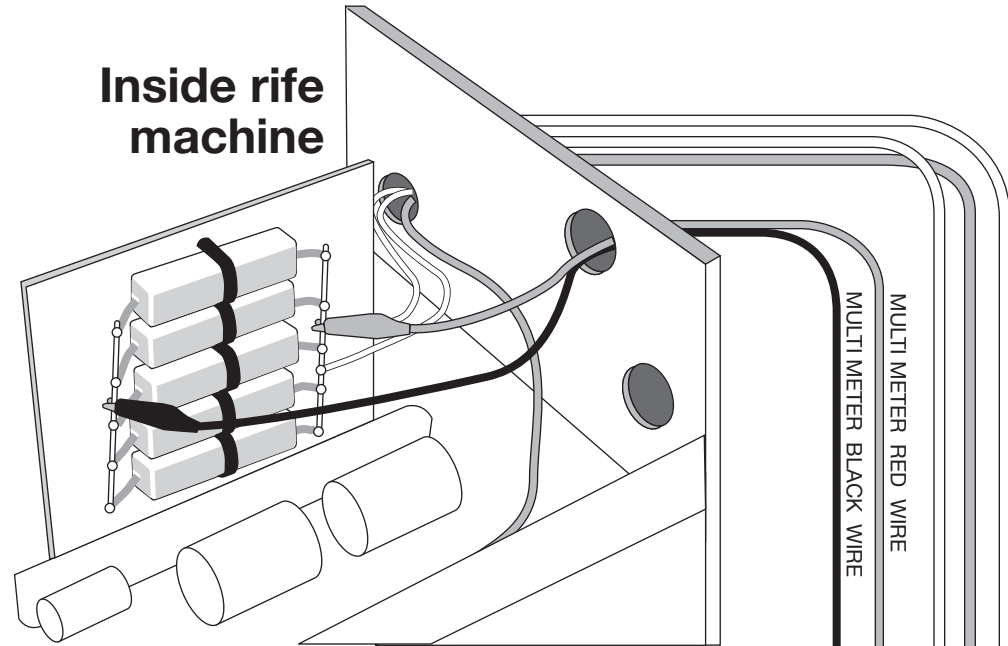
Generator



These switches always remain turned left, counterclockwise

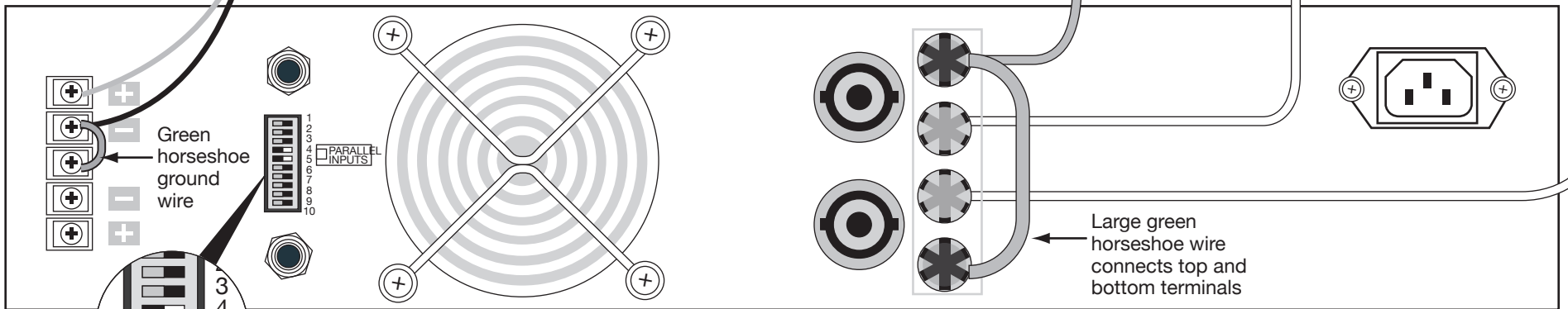
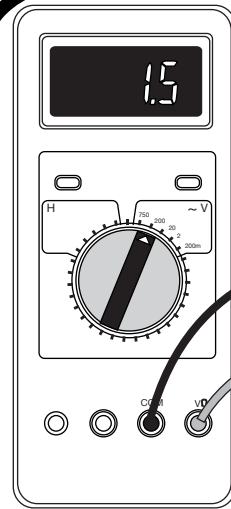
Very slowly turn dial clockwise until multimeter reads 1.5V

Inside rifle machine



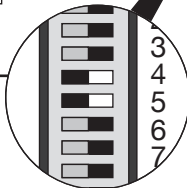
MULTI METER RED WIRE
MULTI METER BLACK WIRE

Multi meter



Green horseshoe ground wire

Large green horseshoe wire connects top and bottom terminals



Switches 4 and 5 are turned on. They are pushed to the right.

Back of amplifier